



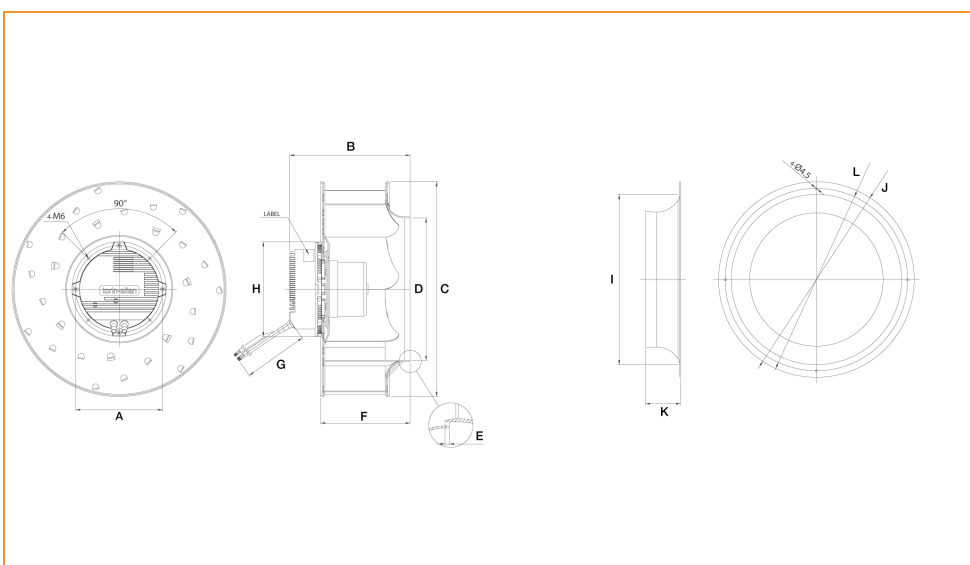
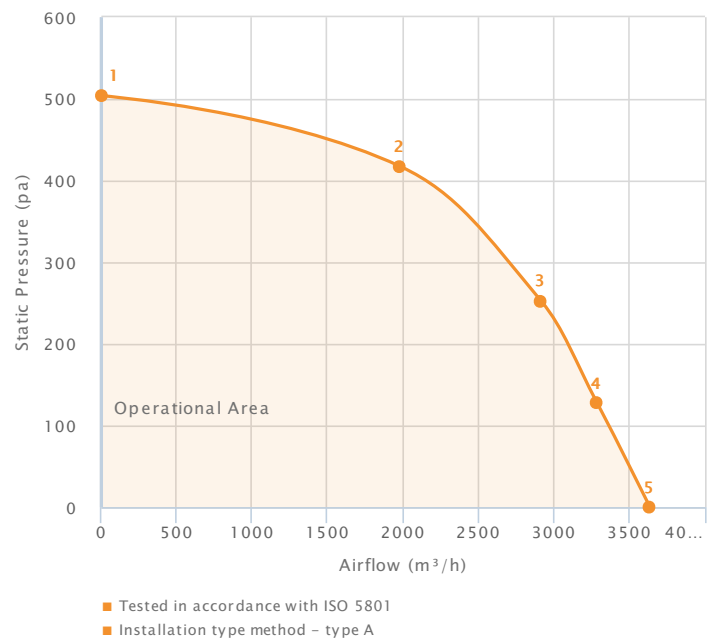
Revolution 360 - High Efficiency EC Backward Curved Plug Fans 400mm - 430W

Technical Data

Supply (V/Ph/Hz)	200-277 / 1 / 50/60
Max Airflow (m³/h)	3635
Max Current (A)	3.1
Max Input Power (W)	430
Max Speed (rpm)	1500
ErP Efficiency Rating (FMEG)	76
Ip Rating	54
Motor Insulation Class	B
Temperature Range (°C)	-25 to +60
Weight (KG)	7.2

Performance Data

Data Point	Static Pressure (pa)	Airflow (m³/h)	Current (A)	Speed (rpm)	Power (W)
1	504	0	1.34	1502	217
2	417	1984	2.51	1482	424
3	252	2916	2.43	1502	412
4	128	3284	1.94	1499	328
5	0	3635	1.47	1499	248



Dimensions

A	164	G	480
B	227.3	H	178
C	404	I	322
D	268	J	370
E	4	K	66
F	169	L	345