



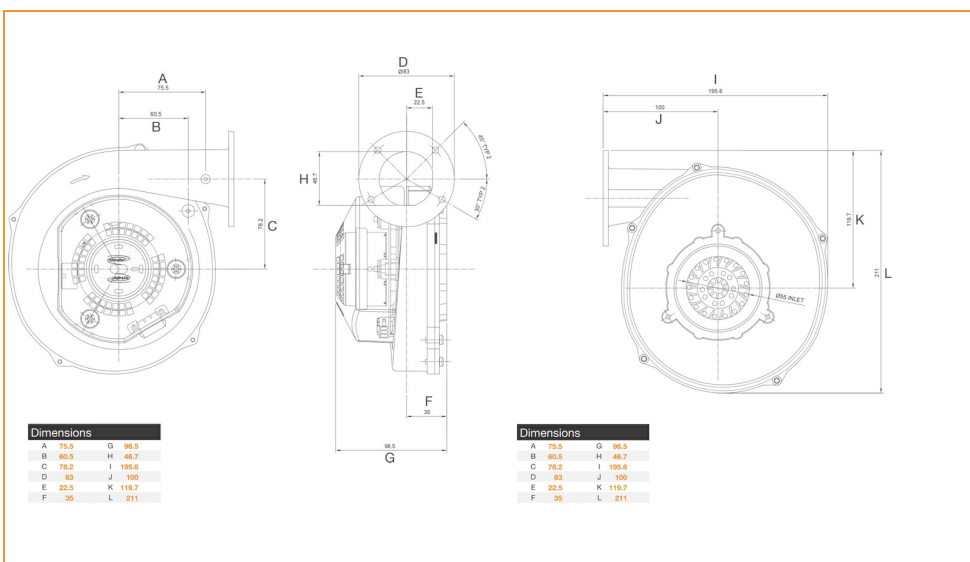
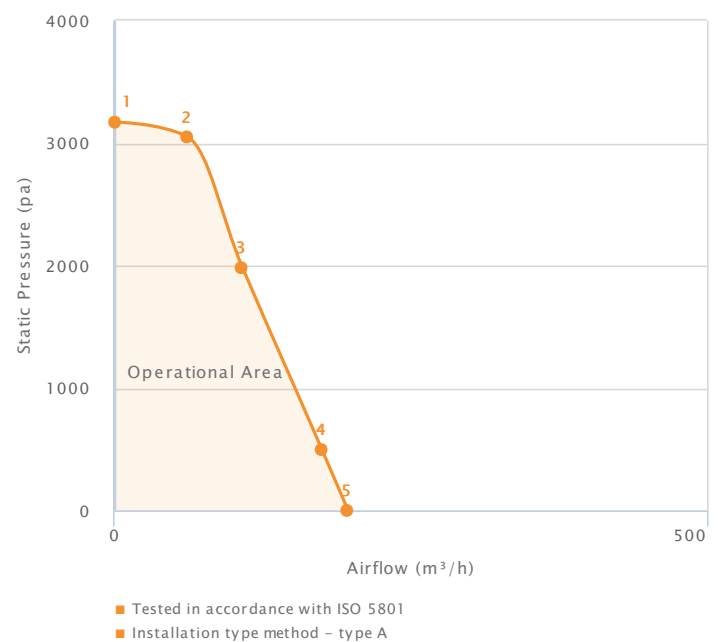
EC/DC Combustion Fans DSB144-22 HV (EC) 230 V

Technical Data

Supply (V/Ph/Hz)	230 / 1 / 50/60
Max Airflow (m³/h)	197
Max Current (A)	0.97
Max Input Power (W)	147
Max Speed (rpm)	8500
ErP Efficiency Rating (FMEG)	Out of Scope
Ip Rating	00
Motor Insulation Class	B
Temperature Range (°C)	-10 to +50
Weight (KG)	1.5

Performance Data

Data Point	Static Pressure (pa)	Airflow (m³/h)	Current (A)	Speed (rpm)	Power (W)
1	3170	0	0.78	8530	113
2	3050	62	0.97	8506	147
3	1982	108	0.90	7228	137
4	497	175	0.85	6261	128
5	0	197	0.85	6261	128



Dimensions

A	75.5	G	96.5
B	60.5	H	46.7
C	78.2	I	195.6
D	83	J	100
E	22.5	K	119.7
F	35	L	211

General Enquiries
+44 (0) 1793 524 291

Tech Support
+44 (0) 1793 524 291

Sales Support
+44 (0) 1793 640 554

www.torin-sifan.com

torin-sifan
The Partner of Choice