

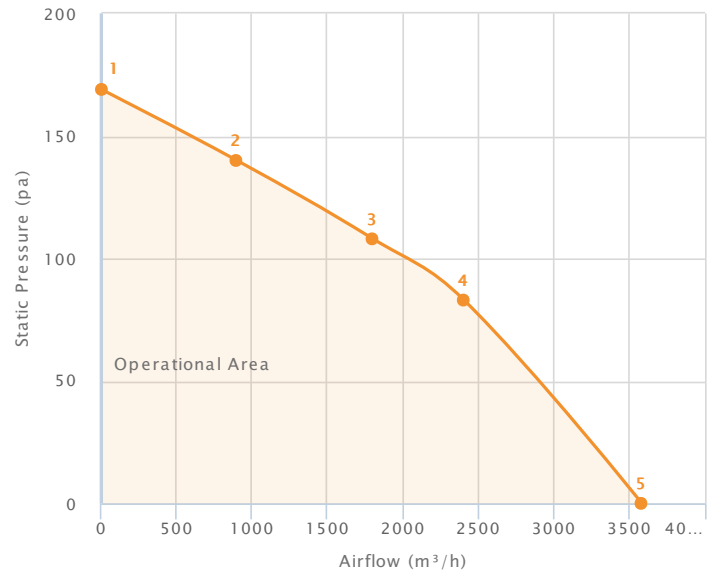
Quad EC Fandecks Quad EC Fandeck 133-222

Technical Data

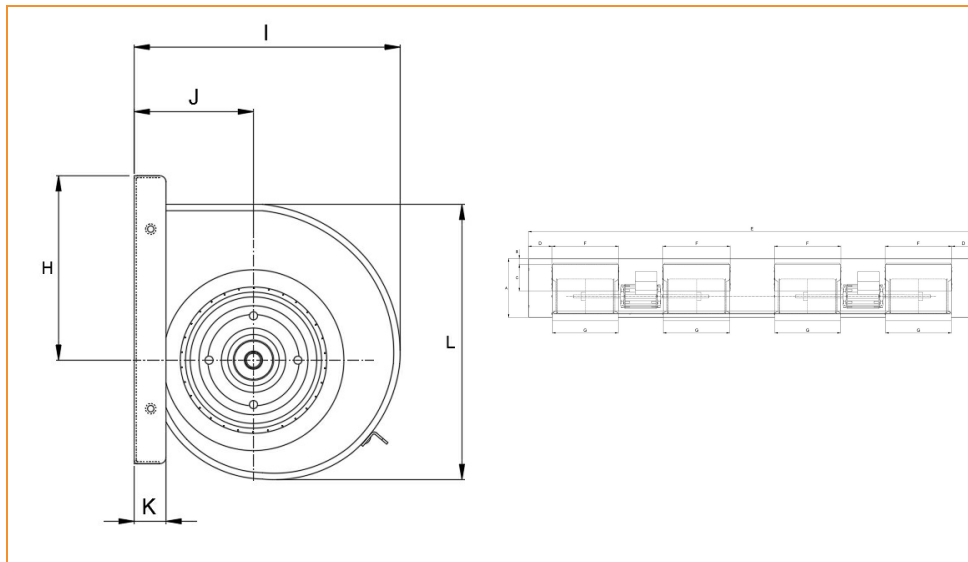
Supply (V/Ph/Hz)	230 / 1 / 50/60
Max Airflow (m³/h)	3582
Max Current (A)	1.54
Max Input Power (W)	214
Max Speed (rpm)	1550
ErP Efficiency Rating (FMEG)	Out of scope
Ip Rating	20
Motor Insulation Class	F
Temperature Range (°C)	-20 to +50
Weight (KG)	TBC

Performance Data

Data Point	Static Pressure (pa)	Airflow (m³/h)	Current (A)	Speed (rpm)	Power (W)
1	169	0	0.74	1506	100
2	140	898	1.04	1502	146
3	108	1800	1.45	1506	210
4	83	2403	1.85	1506	274
5	0	3582	2.67	1504	417



- Tested in accordance with ISO 5801
- Installation type method - type A



Dimensions

A	226.5	G	254.0
B	23.0	H	145.1
C	102.0	I	209.1
D	91.3	J	93.8
E	1720.0	K	25.0
F	256.5	L	216.5

General Enquiries
+44 (0) 1793 524 291

Tech Support
+44 (0) 1793 524 291

Sales Support
+44 (0) 1793 640 554

www.torin-sifan.com

torin-sifan
The Partner of Choice