



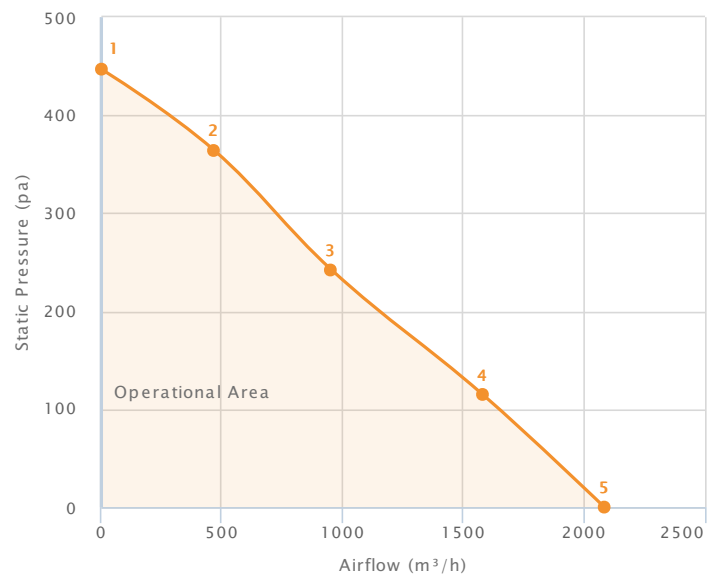
## Revolution 360 - High Efficiency EC Backward Curved Plug Fans 280mm - 180W

### Technical Data

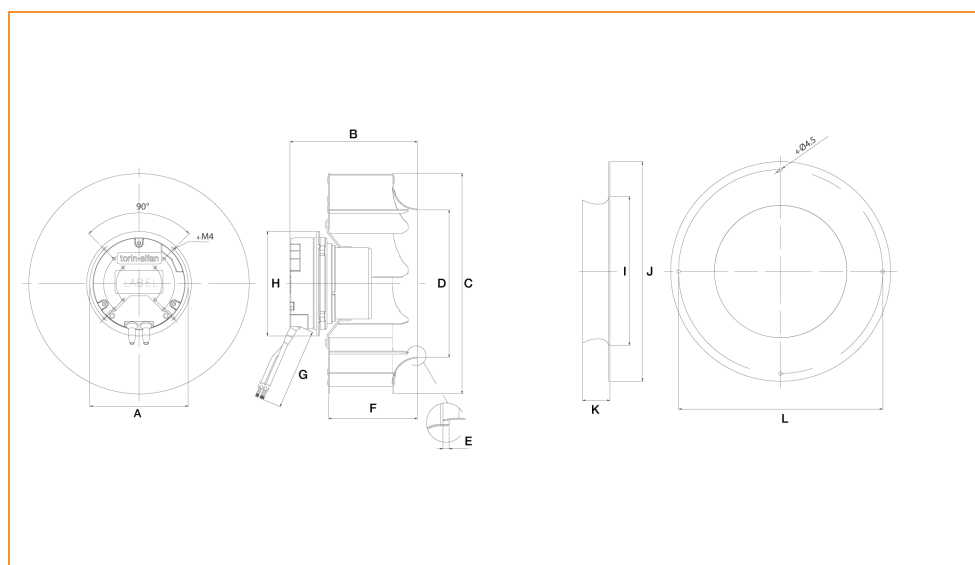
Supply (V/Ph/Hz)	230 / 1 / 50/60
Max Airflow (m³/h)	2083
Max Current (A)	1.0
Max Input Power (W)	180
Max Speed (rpm)	1850
ErP Efficiency Rating (FMEG)	60
Ip Rating	54
Motor Insulation Class	B
Temperature Range (°C)	-25 to +60
Weight (KG)	3.2

### Performance Data

Data Point	Static Pressure (pa)	Airflow (m³/h)	Current (A)	Speed (rpm)	Power (W)
1	447	0	0.53	2147	107
2	364	468	0.74	1991	165
3	242	954	0.74	1758	164
4	115	1579	0.74	1807	164
5	0	2083	0.74	2004	164



■ Tested in accordance with ISO 5801  
■ Installation type method - type A



### Dimensions

A	125	G	550
B	162	H	133
C	280	I	191.1
D	187.6	J	280
E	2.5	K	35
F	113	L	260